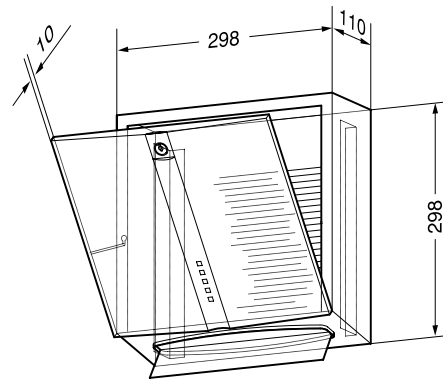


## Paper towel dispenser in stainless steel



- Full metal housing in robust, easy-to-clean stainless steel AISI 304, satin finished, all corners fully welded.
- Holds approx. 500 paper towels.
- Tapered front with vertical curved recess.
- Square perforations to indicate refill level.
- Housing door swings down for refilling.
- Dispenser lockable with cylinder lock.
- Easy to clean due to optimum accessibility.
- Simple mounting: line up with tiles and fasten with 4 screws.
- Also available with a plastic powder-coating.

### Suggested text for specifications:

Paper towel dispenser in stainless steel AISI 304, for surface mounting, satin finished, lockable with cylinder lock. Tapered front with vertical curved recess.

Dimensions 298 x 298 x 130 mm; for approximately 500 paper towels; includes mounting components and one package of paper towels.

Article No. L 113

